

2

1

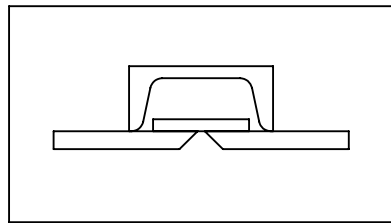
NOTES

- 1. TACK COMPLETE ASSEMBLY IN ANY POSITION.
- 2. WELDING TO BE COMPLETED WITH PLATE #1 FLAT TO THE TABLE.
- 3. ALL VERTICAL WELDS TO BE UPHILL.

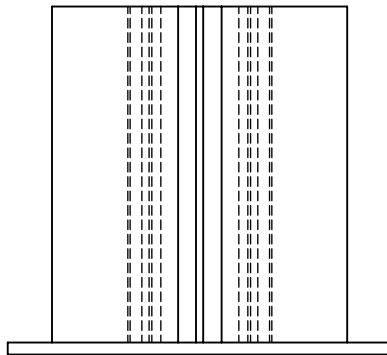
ITEM NO.	PART NUMBER	QTY.
1	4 1/2"x8" x1/4" Steel Plate	1
2	3x5 Chanel	1
3	3"x7"x3/8" Plate	2
4	2"x7"x1/4" Plate	1

B

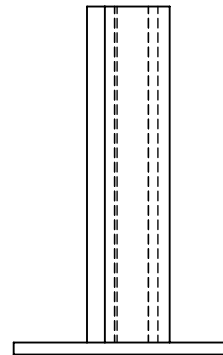
B



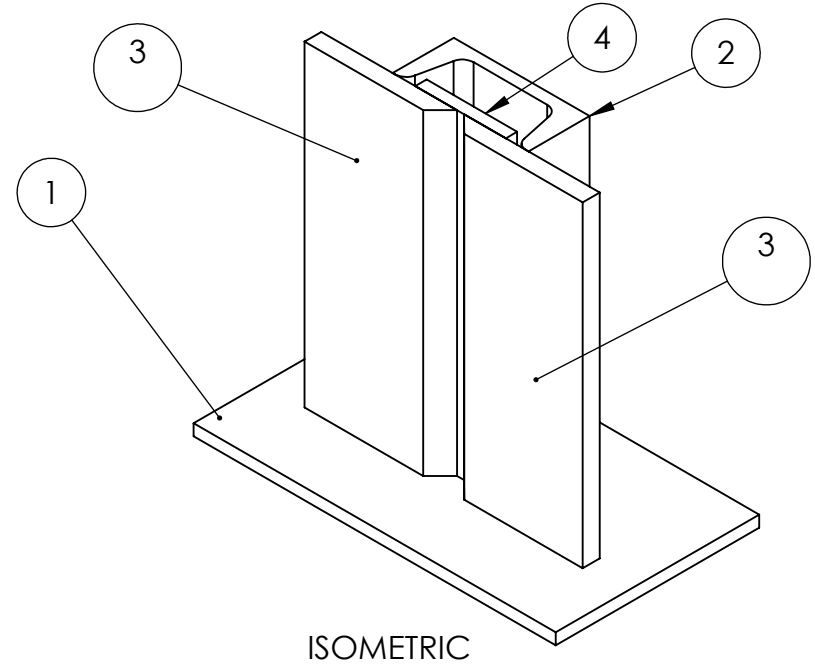
TOP



FRONT



RIGHT



ISOMETRIC

A

A

**2020 SKILLSUSA WELDING CONTEST**

TITLE:

**FCAW**

SIZE

DWG. NO.

REV

**A**

SCALE: 1:4

WEIGHT:

SHEET 4 OF 4

2

1