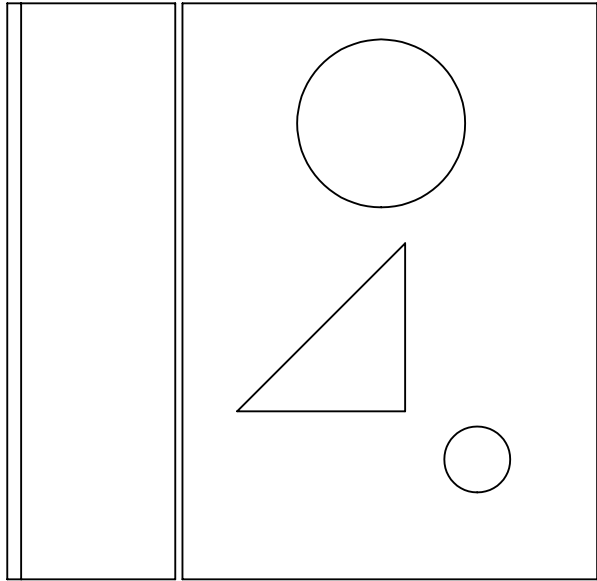
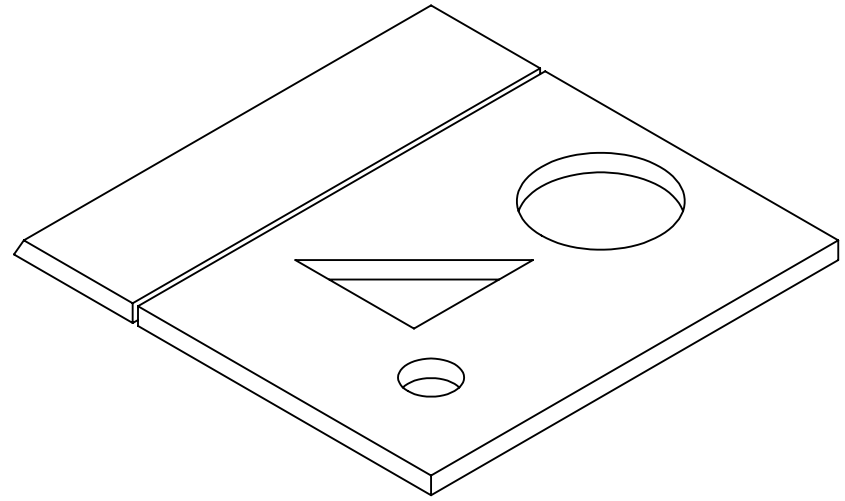


2

1

B

B



TOP VIEW

ITEM NO.	DESCRIPTION	QTY.
A	12" X12"X1/2" STEEL PLATE	1

2020 SKILLSUSA WELDING CONTEST

TITLE:

**CUT TEST**

SIZE	DWG. NO.	REV
<b>A</b>		

SCALE: 1:4	WEIGHT:	SHEET 1 OF 4
------------	---------	--------------

1. LAYOUT IN ANY POSITION
2. CUTTING TO BE COMPLETED WITH PLATE FLAT ON TABLE

2

1

A

A